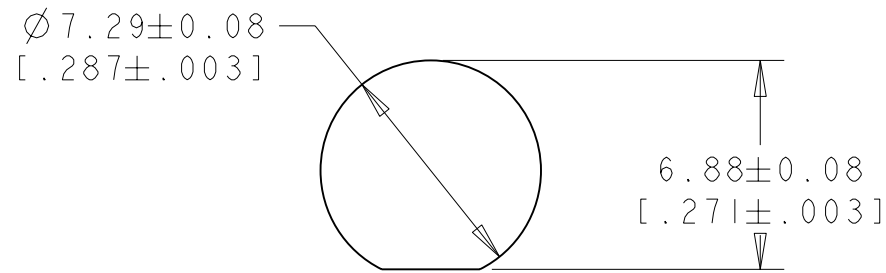
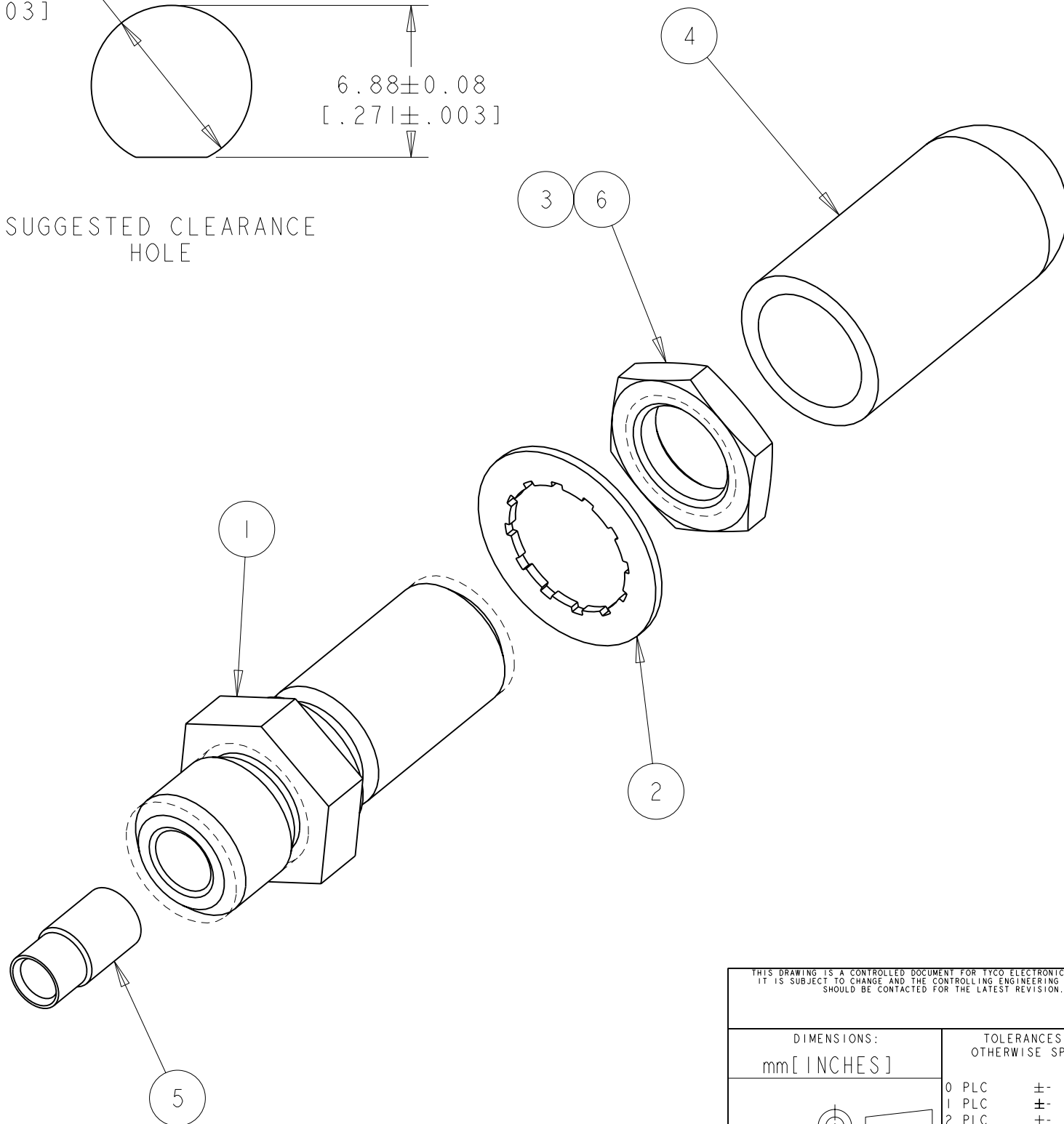


LOC	DIST	REVISIONS					
CE	00	P	LTR	DESCRIPTION	DATE	DWN	APVD
			G	REVISE PER ECR-05-009613	27SEP2005	BB	LS



SUGGESTED CLEARANCE HOLE



1. PRODUCT CONNECTS 905 FSMA TO 905 FSMA OR 906 FSMA TO 906 FSMA. DO NOT CONNECT 905 TO 906.

OBSOLETE

		QTY	PART NUMBER	DESCRIPTION	ITEM NO.
1	-	1	981155-9	JAM NUT	6
1	1	1	501047-1	ALIGNMENT SLEEVE, FULL	5
2	2	2	1828874-6	PROTECTIVE CAP	4
-	1	1	981155-4	JAM NUT	3
1	1	1	1-22145-3	LOCK WASHER	2
1	1	1	501238-2	COUPLING BUSHING, FSMA	1
-2	-1		PART NUMBER	DESCRIPTION	ITEM NO.

<small>THIS DRAWING IS A CONTROLLED DOCUMENT FOR TYCO ELECTRONICS CORPORATION. IT IS SUBJECT TO CHANGE AND THE CONTROLLING ENGINEERING ORGANIZATION SHOULD BE CONTACTED FOR THE LATEST REVISION.</small>	
DIMENSIONS: mm [INCHES]	TOLERANCES UNLESS OTHERWISE SPECIFIED: 0 PLC ±- 1 PLC ±- 2 PLC ±- 3 PLC ±- 4 PLC ±- ANGLES ±-
MATERIAL -	FINISH -

DWN B. BRIGGS 27SEP2005	Tyco Electronics Harrisburg, PA 17105-3608
CHK L. SAUERWEIN 27SEP2005	
APVD S. BUCHTER 27SEP2005	
PRODUCT SPEC 108-45106 APPLICATION SPEC	NAME COUPLING BUSHING KIT, UNSEALED, FSMA
WEIGHT -	SIZE CAGE CODE DRAWING NO RESTRICTED TO A300779 C-501049 -
CUSTOMER DRAWING	SCALE 4:1 SHEET 1 OF 1 REV G